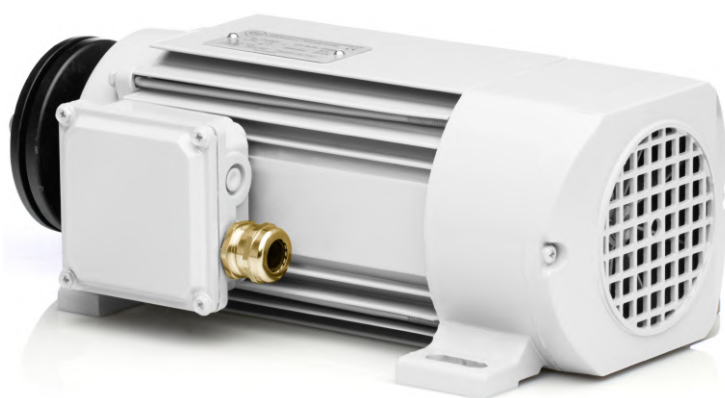


Electric motors

VSC, VYC Series

Three-phase aluminum saw electric motors

Technical catalogue





Quality management and certificates



VYBO Electric is a modern High-tech energy saving company that pays high attention to quality, environment, safety and precision and efficiency of work and energy in production. Therefore, it holds a lot of certificates and quality control systems. **Our priority is quality control.**

Basic certificates include:

ISO9001

The primary task of the ISO 9001 standard is to focus on system management and quality management in the organization. The satisfaction of the customer and the fulfillment of his requirements, which are specified in contracts, orders, or technical drawings, are in the first place. The quality management system is linked to all processes in the company. The standard focuses on the management of human and financial resources, on the stability of infrastructure, including buildings, transport, hardware, software and other communication or information technologies. An important part is also the planning of production and services, the management of the purchasing process, but also the management of non-conforming products.



ISO14001

The main priority of the ISO 14001 standard is to identify and understand the environmental aspects and activities that are related to the entire infrastructure of the company and, based on this, to regulate the environmental impact on the environment.

In its scope, the ISO 14001 standard creates the conditions for determining environmental goals and plans, the fulfillment of which is examined at regular intervals by top management and also by an independent body during internal audits.

This standard is intended for all organizations and companies that consider environmental protection as their primary goal.

The benefit of the standard for society is mainly:

- control over the environmental impact on the environment
- control over produced emissions and waste
- saving material and energy
- prevention of accidents
- compliance of the company's activities with legal requirements
- zero fines for environmental behavior
- creation of a good reputation and prestige of the company



The ISO 45001

Specification (formerly known as OHSAS 18001) is an internationally recognized standard that declares compliance with the principles of a safe enterprise, managing risks at work and protecting the health of workers during work. It does not only concern danger and accidents, but also emphasizes other aspects such as the good condition and mental well-being of the employee.

The certificate is held in Slovakia as STN ISO 45001:2019 and is under the title Management systems of safety and health protection at work. Requirements with guidance for use. It replaces the STN OHSAS 18001 standard.



ISO50001

Energy management systems Energy efficiency help organizations save money, save energy resources and also help to prevent climate change. ISO 50001 encourages organizations in all sectors to use energy more efficiently through the development of an energy management system. The international standard ISO 50001: 2011 specifies the requirements for building, maintaining and improving the energy system. It aims to enable organizations to implement a systematic approach that will help achieve lasting improvements in energy efficiency, energy use and consumption.

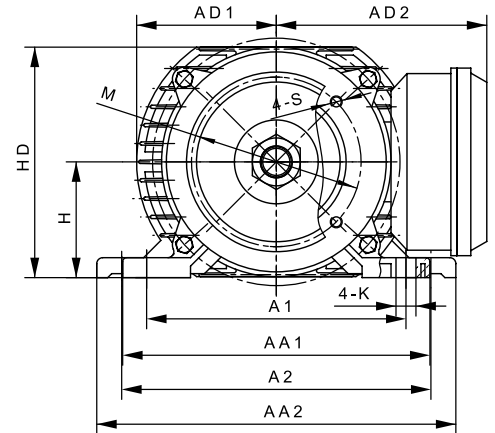
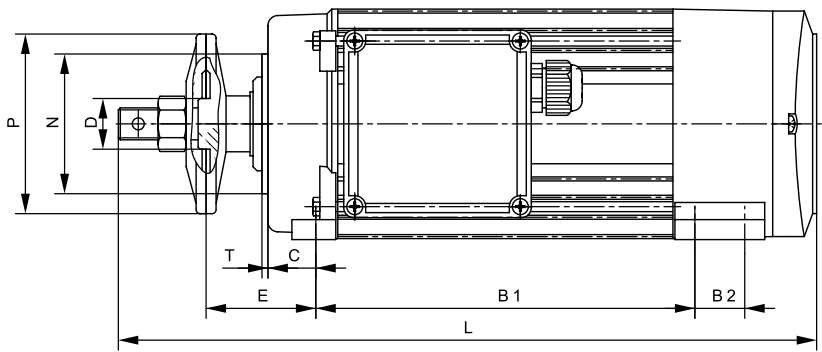


Technical data VSC, VYC

Type and frame size	Rated power	Phase	Rated voltage	Frequency	Full load current	Efficiency	Power factor	Rated speed	Locked rotor torque	Breakdown torque	Locked rotor current	Duty	Capacitor	Inertia
	Power		V	Hz	Amps (A)	EFF.	(cos ϕ)	Speed	LRT	BDT	LRA			J
No	Type	kW				%		RPM	RLT	RLT	RLA			kg*m
1	VYC58A2	1,1	1	230	50	7,18	68,0	0,98	2770	0,35	1,7	5,0	S6-40% 25uF/450V	0,000697
2	VYC58B2	1,5	1	230	50	9,51	70,0	0,98	2790	0,35	1,7	5,0	S6-40% 30uF/450V	0,000900
3	VYC58C2	1,8	1	230	50	11,10	72,0	0,98	2790	0,32	1,7	5,0	S6-40% 30uF/450V	0,001031
4	VYC63B2	2,2	1	230	50	13,20	74,0	0,98	2800	0,32	1,7	5,0	S6-40% 40uF/450V	0,001220
5	VSC58A2	1,5	3	400	50	3,41	77,5	0,82	2750	3,00	3,0	6,0	S6-40%	0,000762
6	VSC58B2	2,2	3	400	50	4,76	78,5	0,85	2750	3,00	3,0	6,0	S6-40%	0,001031
7	VSC63A2	2,2	3	400	50	4,73	79,0	0,85	2800	2,40	2,2	6,0	S6-40%	0,001276
8	VSC63B2	3	3	400	50	6,37	80,0	0,85	2820	2,80	2,4	6,5	S6-40%	0,001679
9	VSC74A2	4	3	400	50	8,19	82,0	0,86	2850	3,00	3,0	7,0	S6-40%	0,003118
10	VSC81A2	5,5	3	400	50	10,50	85,0	0,89	2880	3,00	3,0	9,0	S1	0,005452
11	VSC81B2	7,5	3	400	50	14,10	86,0	0,89	2880	3,00	3,0	9,0	S1	0,007185
12	VSC93A2	5,5	3	400	50	10,10	87,0	0,90	2890	3,00	3,0	9,0	S1	0,004694
13	VSC93B2	7,5	3	400	50	13,60	87,5	0,91	2890	3,00	3,0	9,0	S1	0,005935



Mounting and overall dimensions of VSC, VYC



No	Model	H	D	P	N	M	S	A1	A2	B1	B2	C	E	T	K	AA1	AA2	HD	AD1	AD2	L
1	VYC58A2	58	25,4	90	70	85	M6	130	155	165	25	24	55	3	10	154	180	116	70	113	325
2	VYC58B2	58	25,4	90	70	85	M6	130	155	190	25	24	55	3	10	154	180	116	70	113	350
3	VYC58C2	58	25,4	90	70	85	M6	130	155	190	25	24	55	3	10	154	180	116	70	113	350
4	VYC63B2	63	25,4	90	80	100	M6	130	155	190	28	24	55	3	10	154	180	126	77	118	355
5	VSC58A2	58	25,4	90	70	85	M6	130	155	165	25	24	55	3	10	154	180	116	70	103	325
6	VSC58B2	58	25,4	90	70	85	M6	130	155	190	25	24	55	3	10	154	180	116	70	103	350
7	VSC63A2	63	25,4	90	80	100	M6	130	155	165	28	24	55	3	10	154	180	126	77	108	330
8	VSC63B2	63	25,4	90	80	100	M6	130	155	190	28	24	55	3	10	154	180	126	77	108	355
9	VSC74A2	74	30	110	95	115	M6	155	155	190	25	24	55	3	10	154	180	147	87	125	370
10	VSC81A2	81	40	158	110	130	M8	160	190	254	20	25	64	3,5	12	180	225	162	99	133	462
11	VSC81B2	81	40	158	110	130	M8	160	190	318	20	25	64	3,5	12	190	225	162	99	133	526
12	VSC93A2	93	40	158	110	130	M8	190	190	229	25	25	64	3,5	14	225	225	184	108	143	440
13	VSC93B2	93	40	158	110	130	M8	190	190	254	25	25	64	3,5	14	225	225	184	108	143	465





Address

VYBO ELECTRIC a. s. | tel: +421 944 105 361
Radlinského 18 | e-mail: mv@vyboelectric.eu
052 01 Spišská Nová Ves
Slovenská republika

www.vyboelectric.com



SOLUTIONS FOR INDUSTRY

BUREAU VERITAS
Certification



VYBO Electric a.s.
Radlinského 18, 052 01 Spišská Nová Ves
Slovak Republic

Bureau Veritas Certification Holding SAS – UK Branch certifies that the Management System of the above organisation has been audited and found to be in accordance with the requirements of the management system standards detailed below

ISO 14001: 2015

Scope of certification

MANUFACTURE AND SALE OF ELECTRIC MOTORS. SALES AND DEVELOPMENT OF VARIABLE FREQUENCY DRIVES.

Original cycle start date: 18.05.2022
Expiry date of previous cycle: N/A
Certification Audit date: 31.03.2022
Certification cycle start date: 18.05.2022

Subject to the continued satisfactory operation of the organization's Management System, this certificate expires on: 17.05.2025

Certificate No. SK-U22 055E Version: 1 Issue date: 18.05.2022

Certification body address: 5th Floor, 66 Prescot Street, London E1 8HQ, United Kingdom
Local office: Plynárenská 7/B, BRATISLAVA 821 09, Slovak Republic



Further clarifications regarding the scope of this certificate and the applicability of the management system requirements may be obtained by consulting the organisation. To check this certificate validity please call: +421 2 5341 4165



Bureau Veritas Certification

Certificate

Awarded to

VYBO Electric a.s.
Radlinského 18, 052 01 Spišská Nová Ves
Slovak Republic

BUREAU VERITAS CERTIFICATION (Z) s.r.o. certifies that the Management System of the above organisation has been assessed and found to be in accordance with the requirements of the management system standard detailed below

Standard
ISO 45001:2018

Scope of supply

MANUFACTURE AND SALE OF ELECTRIC MOTORS. SALES AND DEVELOPMENT OF VARIABLE FREQUENCY DRIVES.

Original Approval Date: 18-05-2022
Expiry date of previous cycle: N/A
Certification Cycle Start Date: 18-05-2022
Certification Cycle End Date: 17-05-2025
Subject to the continued satisfactory operation of the organisation's Management System, this certificate is valid until: 17-05-2025

To check this certificate validity please call: +420 210 098 215

Further clarifications regarding the scope of this certificate and the applicability of the management system requirements may be obtained by consulting the organisation.

Version 1 Issue Date: 18-05-2022
Certificate Number: CZF - 2200117

MANAGING OFFICE: BUREAU VERITAS CERTIFICATION (Z) s.r.o., Obchodní 1, 116 00 Praha 4, Czech Republic
ISSUING OFFICE ADDRESS: BUREAU VERITAS CERTIFICATION (Z) s.r.o., Obchodní 1, 143 02 Praha 4, Czech Republic

ZERTIFIKAT ♦ CERTIFICATE ♦ 認證證書 ♦ СЕРТИФИКАТ ♦ CERTIFICADO ♦ CERTIFICAT



CERTIFICATE

TÜV SÜD Slovakia s.r.o.
Certification Body for Management Systems
Accredited by SNAS
Certificate on accreditation No. Q-011
certifies that



VYBO Electric a.s.
Radlinského 18
SK – 052 01 Spišská Nová Ves
IČO: 45 537 143

has established and applies
a Quality Management System for

**Manufacture and sale of electric motors.
Sales and development of variable frequency drives.**

An audit was performed, Report No. 2264/40/22/Q/AS/C
Proof has been furnished that the requirements
according to

STN EN ISO 9001:2016

are fulfilled. The certificate is valid from 2022-04-14 until 2025-04-13
Certificate Registration No. Q 2264-1

Bratislava, 2022-04-14

TÜV SÜD Slovakia s.r.o.
Certification Body for Management Systems
Member of Group TÜV SÜD
Jaskóvka 6, 821 03 Bratislava

Certificate SK22/3701

The management system of

VYBO Electric a.s.
Radlinského 18
052 01 Spišská Nová Ves, Slovakia

has been assessed and certified as meeting the requirements of

EN ISO 50001:2018

For the following activities

**Production & sales of electric motors.
Sales & development of variable frequency drives.**

Further clarifications regarding the scope of this certificate and the applicability of EN ISO 50001:2018 requirements may be obtained by consulting the organisation.

This certificate is valid from 7 April 2022 until 6 April 2025
and remains valid subject to satisfactory surveillance audits.
Recertification audit due a minimum of 60 days
before the expiration date.
Issue 1. Certified with SGS since 7 April 2022

Authorised by

Ing. Róbert Bodnár
Director

SGS Slovakia spol. s r. o.
Kysucká 14, 040 11 Keľce, Slovakia
t +421 55 783 61 11, f +421 55 783 61 20, www.sgs.com

